

# Sorento

## Installing & Using Instruction

### Automatic Sensor Faucet



#### Technical Parameters

Media Temperature	1-55°C
Working pressure	0.1-0.6 MPa (best pressure 0.2-0.5MPa)
Flow Rate	≤0.12 (L/s)
Confirmed Time	≤1 second
Working Voltage	AC 110V 50-60 Hz, DC6V ( 4 xAA alkaline battery )
Sensing Range	28 cm ± 10% (for clean analog board with standard )
Water Inlet Diameter	G1/2"(DN15)

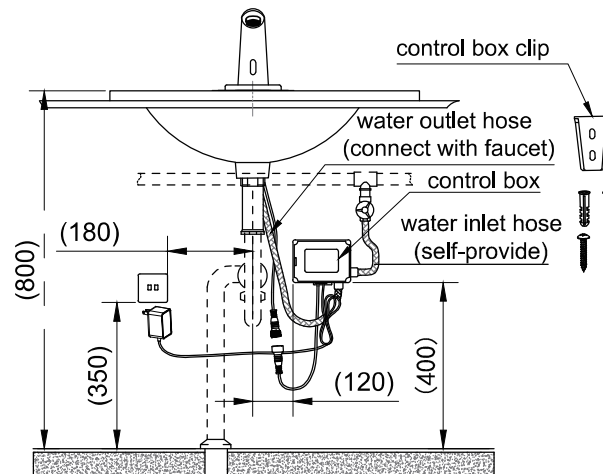
#### Installing Attentions:

1. Before installing, pipeline shall be cleaned to prevent damaging solenoid valve during later usage
2. Do not install this electronic inductor in the place of direct sunlight or strong lighting to prevent reducing the performance of the inductor.
3. Before installing, please make sure to use alkaline batteries which meets the national standard, install the batteries in the right way, positive and negative poles can't be installed reversely
4. After installing, strict water pressure testing shall be undertaken to make sure water inlet & outlet port is water-tight (when water pressure lower than 0.05MPa, please install pipeline booster pump, prevent reducing the flushing efficiency. when water pressure is bigger than 0.6 MPa, please use decompressor to prevent the damage of sensor faucet )

#### Installation

1. Take out the faucet ,remove protective cover, take apart the fastening nut, right angle pressing cap, flat rubber pad , make faucet sensor go through the basin hole, adjust the suitable angle, then fix flat rubber pad, right angle pressing cap and fastening nut on the faucet in right order from the underneath of basin, then lock faucet on the basin tightly. At last, tighten dual end water outlet hose into water inlet pipe of faucet.
2. Take out control box clips, drill two holes of  $\phi$  5.5x30mm (as shown below control box), knock expansion pipes into the holes, lock control box clips into expansion pipes by self-tapping screws, hang control box in the clips, connect control box sensor connector with faucet sensor connector mating At last, make control box plug in power supply.
3. Connect faucet water inlet hose (G 1/2) with control box water outlet tightly, then connect one end of dual end water inlet hose (G 1/2, self-provided) with control box inlet tightly and connect the other end with angle valve tightly
4. Make sure no-leakage in all the pipes, faucet can be used

Note: units: mm, size with "( )" for the installation of a size is recommended.  
Specifications and dimensions are for reference only, please give priority to real engineering work.



#### Functions:

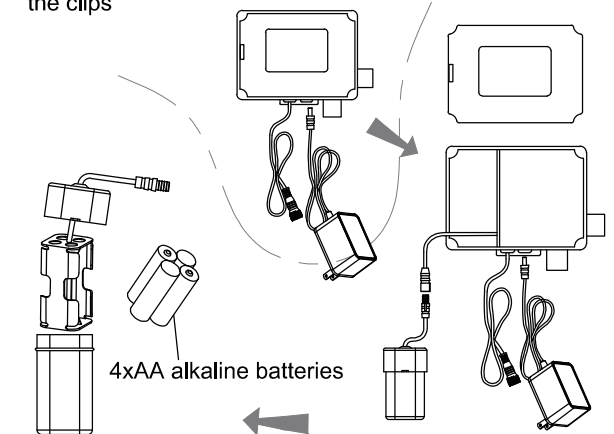
1. Automatic Flushing: infra-red sensor, open and close automatically
2. Overtime Protection: when flushing time is over 60 seconds, water flushing stops automatically, avoid long-time flushing sensed by foreign matter and waste water
3. Low power warn: when battery power fail to run the machine normally, auto-stop water light flash quickly to remind replacing new batteries.

#### Features:

1. Intelligent: opening and closing water is completed by sensor automatically, without human operations
2. Hygienic: don't need to touch any switch or parts, prevent crossing bacterial infection, health is assured
3. Water Saving: Hands out for water, move hands to stop water. instant sensor, instant action, save water easily
- 4 Power Saving: Use 4xAA alkaline batteries, the life span can be 2 years by 3000 times /month

#### Replace Batteries:

If AC power is used, you must cut off AC power, take down control box, open the cover, take out the battery box, pull out used batteries and replace new AA alkaline batteries check positive and negative poles are in the right order, install battery box cover then install control box cover, hand control box in the clips



#### CAUTIONS:

positive and negative poles must be in the right order, new and used batteries or different brands batteries aren't allowed to mix use .When battery runs out of power, this indicator light will flash 3 times quickly per second, reminding to replace the battery. when battery power off, sensor will close the solenoid valve forcibly to prevent water waste.

## Instruction Manual

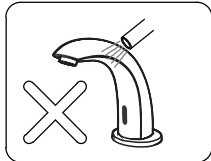


Hands are in sensing range, faucet flush water automatically



Hands are out of sensing range, faucet shut off automatically

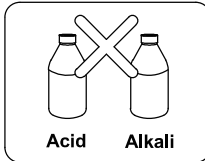
## Using Precautions



Do not flush the faucet by water, use soft cotton cloth



Do not shake the faucet, can cause the fault easily

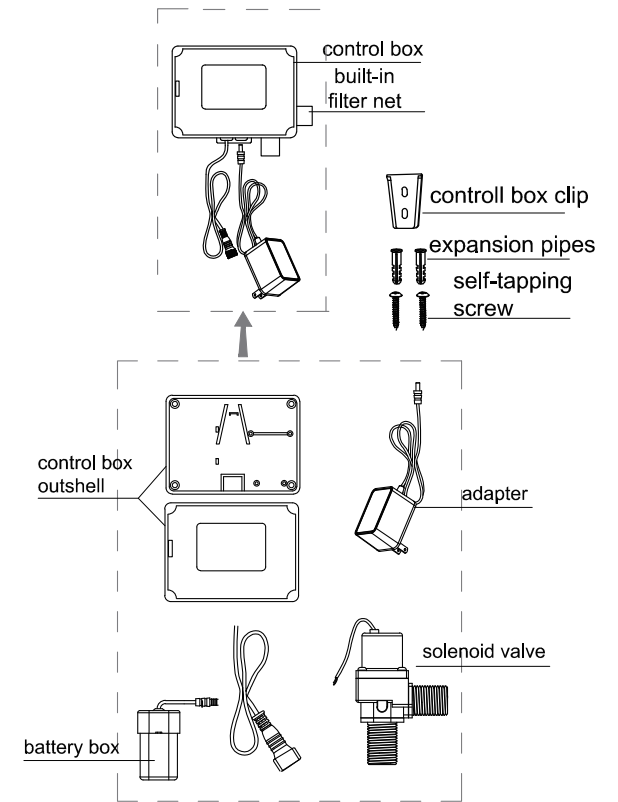
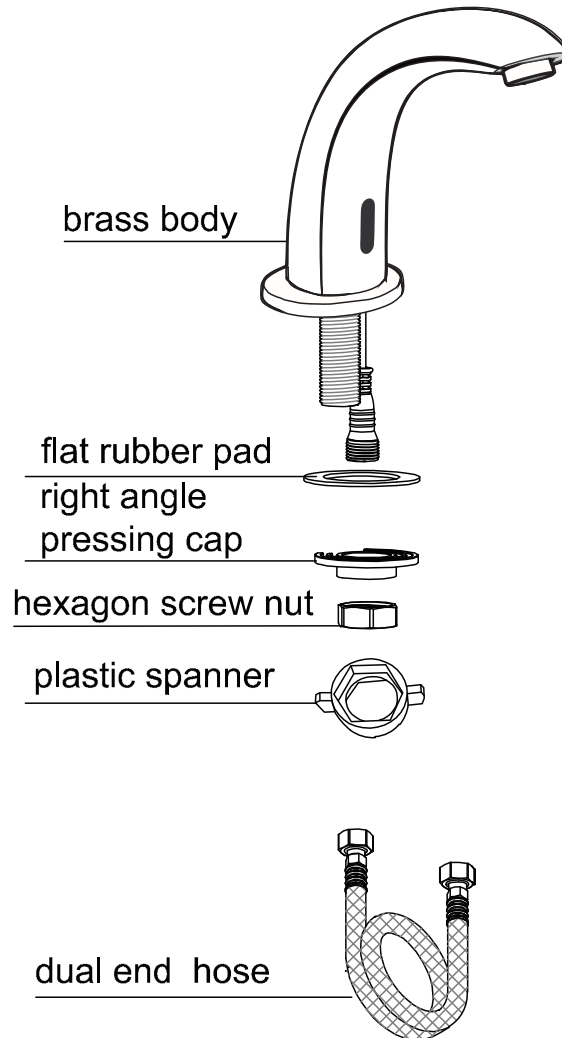


Do not use acid alkaline detergent to clean the faucet

## Simple Faults Analysis & Troubleshooting

State	Reason of Fault	Measures
not water coming or not shut off	batteries run out of power	replace new batteries
	stain on the induction window	clean the stain
	water supply stops	waiting for water supply
	water inlet block up	clean water fliter
	water pressure not in the propriate range	adjust water pressure
	obstacles on the induction window	remove the obstacles
little water comes out	water inlet angle valve close	open angle valve
	filter is too dirty	clean water fliter
	something stuck in the switch chip of solenoid valve	clean something stuck in the water drain hole
	water pressure too low	adjust water pressure
Battery life too short	use non-alkaline battery or fake& bad battery	replace the batteries

## Product Accessories Decomposition Chart



## Maintenance and Repair

when sensor faucet is in initial use or flushes less water, filter net may be blocked up, it needs to be cleaned, cut off water source before cleaning

