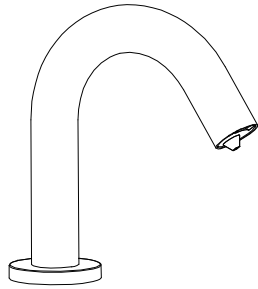


Sorento

Installing & Using Instruction

Automatic Faucet Soap Dispenser



Technical Parameters

Working power	DC6V & AC220V/50Hz
Standby current	<30uA
Instant maxium power	<1.0A
Sensing distance	8-10 cm (reference to your hand)
Scanned Time	0,5 second
Environment Temperature	1°C-40°C
Storage temperataure	-15°C~60°C
Media temperataure	0°C~60°C
Each dose	about 1ml /second
Soap bottle capacity	1000 ml

Installing Attentions:

1. Before installing, please make sure if the selected 4 PCS of AA alkaline batteries meet your national standard, insert the batteries into the battery box by positive pole and negative pole of battery box
2. This item comes out foam, please choose special foam soap
3. When choose the installing position, try to avoid the sunlight or strong lighting, in case of shining directly the induction window and cause to reduce the performance of inductor.

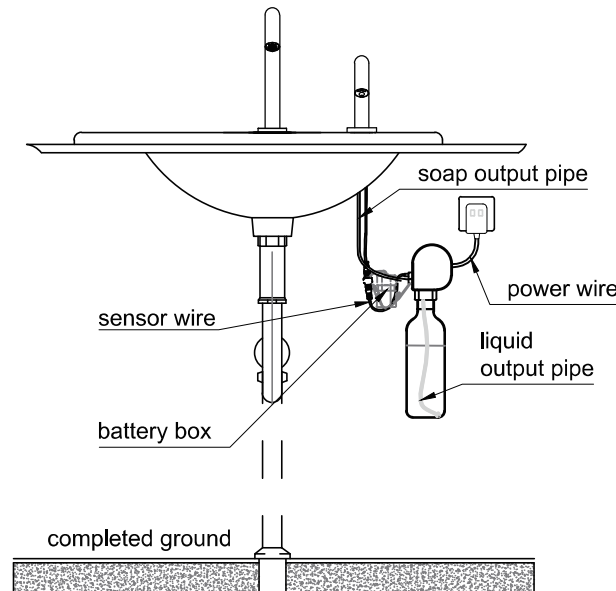
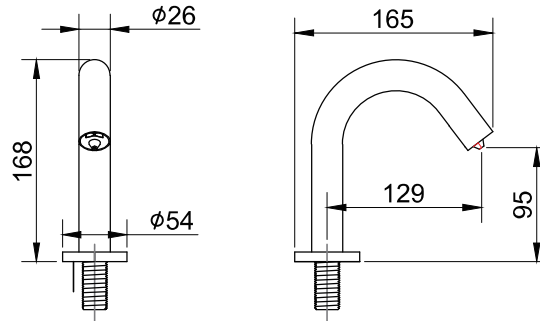
CAUTIONS: foam soap dispenser do not use high concentration and condensable gel liquid, otherwise it can block up the pipeline of dispenser, use the liquid soap which is not corrosive to silica gel.

Intallation

I. Sketch Map

unit: mm,

Mark: Size with () means recommended size
specification sizes are only for reference,
project operations shall be subject to actual objects.

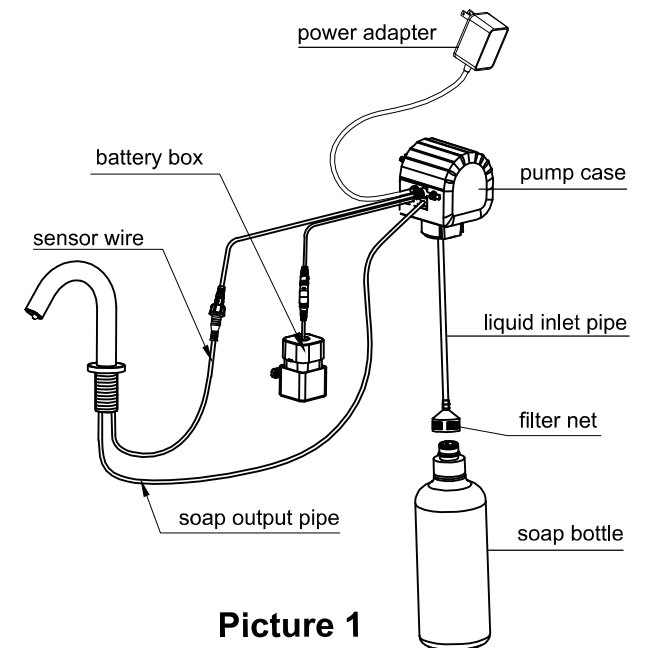


II Installation Steps:

1. Take out of automatic faucet, unscrew the locked nut, then remove the nut and pad. thread the sensor and outlet pipe through the reserved hole of basin, lock the faucet on the deck of basin firmly.
2. Like above picture, fix pump case and battery box on suitable position of wall under basin.
3. Like the above picture, connect liquid inlet joint with water inlet silicone hose of pump case, connect 4-core sensor wire faucet with 4-core wire of pump case, connect faucet liquid outlet silicone hose with liquid outlet joint of pump case, and connect adapter with batteries group (be careful of right order of batteries, install the batteries, new and used batteries can not mix-use)
4. Take out soap bottle, then fill it with compliant foam soap (soap bottle capacity is about 1 Liter) install it over the pump case

CAUTIONS:

1. Liquid soap shall be non corrosive to silica gel, and liquid soap shall not be condensed into solid easily, otherwise the pipeline would be blocked up, then the dispenser can not work normally.
2. During filling the soap, since the pipeline is empty and too long, need several sensings to fill with the pipeline, this is normal (several sensings till the soap comes out)



Picture 1

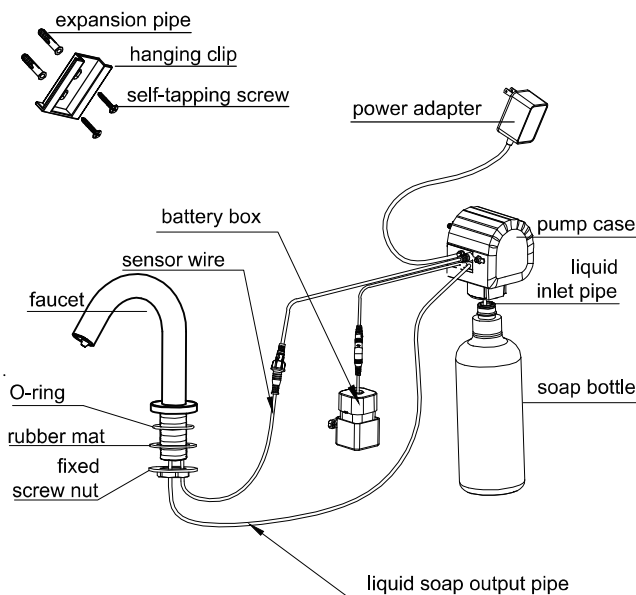
Functions:

1. Automatic Flushing: infra-red sensor, open and close automatically.
2. Sensing Distance Adjustment: use special remote control (optional) to adjust the sensing distance
3. Functions: each sensing comes out a dose
4. Low Power Warn: when battery power fail to run the machine normally, the machine reminds to replace new batteries automatically.

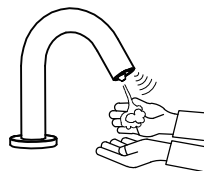
Features:

1. Intelligent: opening and closing water is completed by sensor automatically, without human operations
2. Hygienic: don't need to touch any switch or parts, prevent crossing bacterial infection, health is assure
3. Saving: Hands out for soap , instant sensor, instant action, easy and saving, avoid wasting
- 4 Power Saving: Use 4xAA alkaline batteries (self-provide), the life span can be 8-10 months by 1000 times /month.

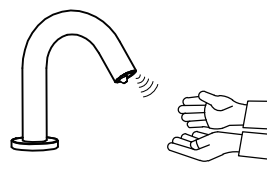
Product Accessories Decomposition Chart



Instrucion Manual

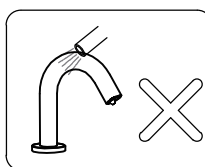


Hands are in sensing range, faucet flush foam soap automatically

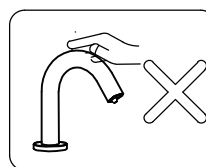


Hands are out of sensing range, faucet shut off automatically

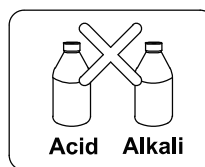
Using Precautions



Do not flush the faucet by water, use soft cotton cloth



Do not shake the faucet, can cause the fault easily



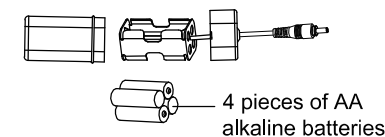
Do not use acid alkaline detergent to clean the faucet

Simple Faults Analysis & Troubleshooting

Abnormal State	Possible Reason	Measures
battery life span short	use unqualified batteries	replace qualified batteries
not sense	battery power exhausted	replace qualified batteries
soap dose get less	foam valve blocked up	clean or replace foam valve
soap output stop	battery power exhausted	replace qualified batteries
	some stain on the induction window	clean the stain
	no soap in the soap bottle	add soap into soap bottle
	soap net blocked up	clean or replace soap net
	pipeline blocked up	clean the pipeline

Replace Batteries:

If AC power is used, you must cut off AC power first, take out old batteries and replace 4 PCS of new AA alkaline batteries, check positive and negative poles are in the right order, cover battery box and put it inside the control box.

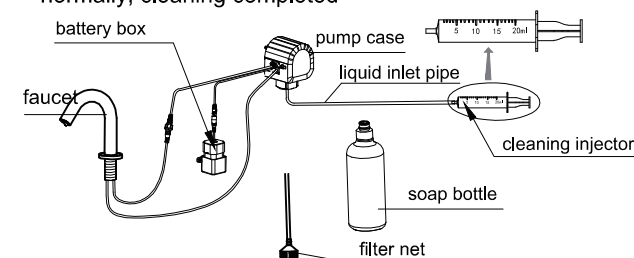


Clean & Maintenance

During the usage of this item, if the machine works normally, but no soap comes out, please clean & maintenance by the following two ways:

1. Detach soap bottle,

Like the following picture, fill cleaning injector with clean water, inject water into the liquid inlet pipe of pump case, till automatic faucet can flow out the water, then install it as it used to be, automatic faucet would come out soap normally, cleaning completed



2. when foam soap comes out abnormally, see the following picture: use cap removal spanner to remove foam valve cap, draw out foam valve and outlet pipe, then pull out foam valve. Soak foam valve in the hot water for 10-15 minutes, then put on spare silicone tube, fill cleaning injector with hot water, inject hot water into silicone tube several times to make foam valve follow out the water smoothly, then install it as it used to be.

