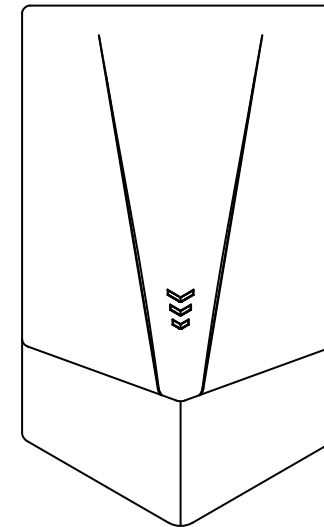


Sorento

SRTHD120, SRTHD121-BL

Smart Sensor Series

Wall Mounted High Speed Hand Dryer



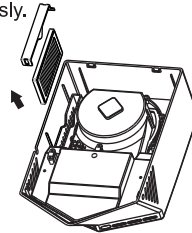
Instruction Manual

10. Clean The Air Filter

Cleaning cycle: Semi-annually or when the wind speed decreases obviously.

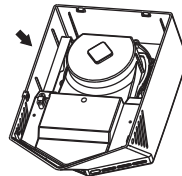
1

Open the air inlet panel ,Pull the air filter out by the handle as shown in figure.



2

Clean the air filter
Dust can be removed by hand, with a brush, or a vacuum cleaner.
Air filter can directly be cleaned with water, but make sure the filter is completely dry before re-use.



3

Re-attach to the unit.

PLEASE READ CAREFULLY THROUGH THIS MANUAL BEFORE USING THE PRODUCT, OBSERVING ALL SAFETY INFORMATION, WARNINGS.

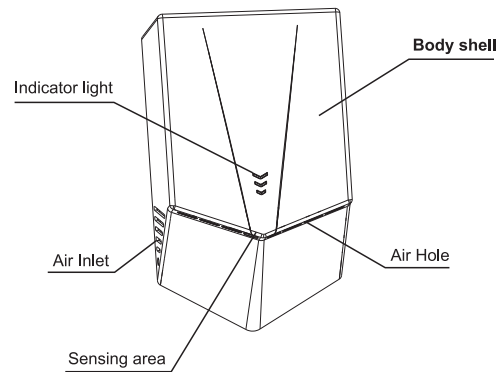
1. Warning

1. This product is intended for installation by a qualified service person.
2. Disconnect power at the service breaker before installing or serving.
3. If the power supply cord is damaged, it must be replaced by the manufacturer or its service agent or similar qualified person in order to avoid a hazard.
4. Means for disconnection must be incorporated in the fixed wiring in accordance with the current wiring regulations.

3. Technical Specifications

Power:	1300W	Drying Time:	7-9s
Rated Frequency:	50/60Hz	Waterproof Grade:	IPX1
Air Velocity:	150m/s	Noise(at 2M):	72dB

4. Components Name



5. Packing List

Hand Dryer:	1PC	Plastic Anchor:	4PCS (In Accessories Bag)
User Manual:	1PC	Screw:	4PCS (In Accessories Bag)
		Allen Wrench:	1PC (In Accessories Bag)

6. Installation

Select hard-wired or plug-in option

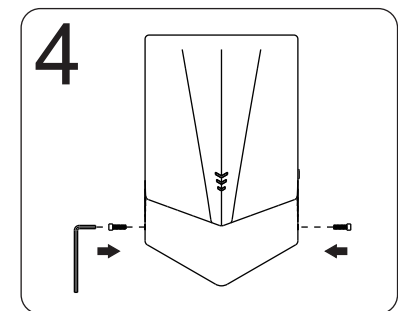
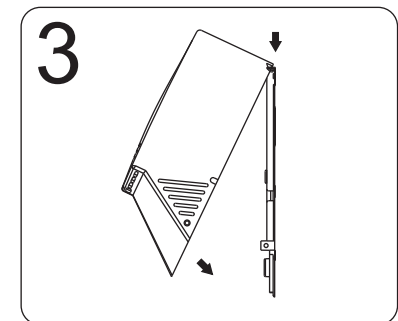
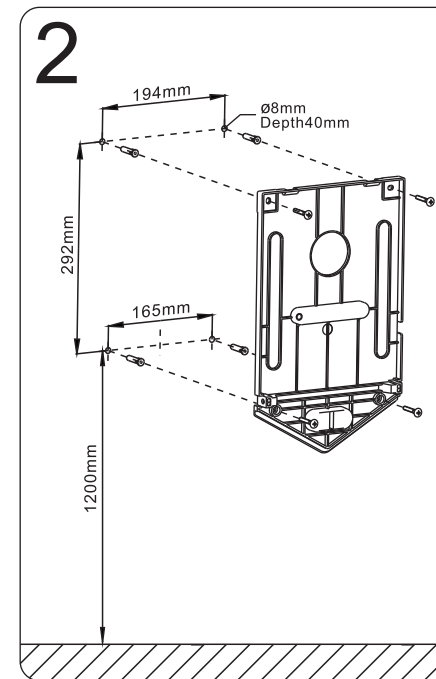
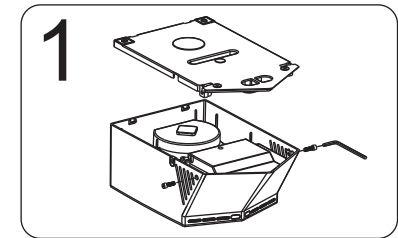
First, choose whether you're going to be installing hard-wired or plug-in hand dryers.

If you're planning to simply plug the dryer into an existing power outlet you can mount the product onto the wall yourself.

If you choose to hardwire the equipment, you'll need to book a qualified electrician to carry out the installation.

Plug-in installation

1. Use allen wrench from accessories bag to remove 2 countersunk screws from body shell.
2. Pull the shell upward by hands to remove.
3. Determine wall mounting location and use the hand dryer base as a template to mark 4 hole locations. Drill 4 holes and insert plastic anchors, mount the unit to wall with screws as shown in figure 2.
4. Tighten the 2 countersunk screws on the shell.

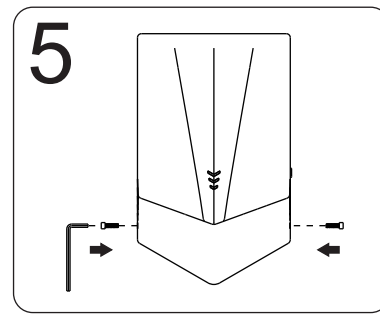
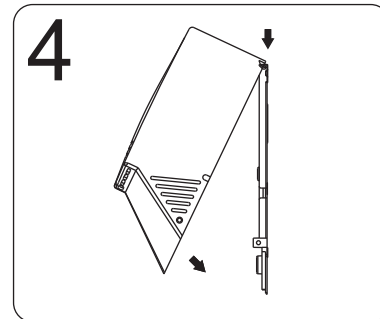
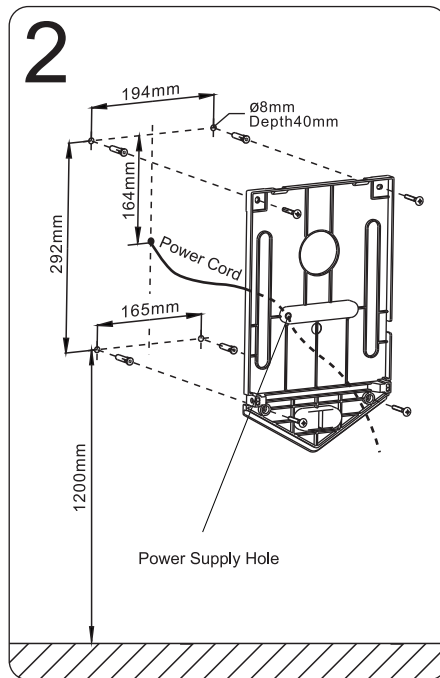
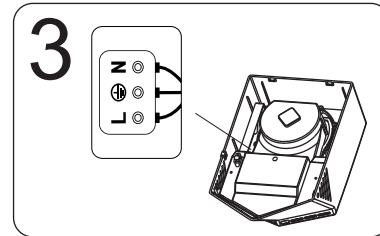
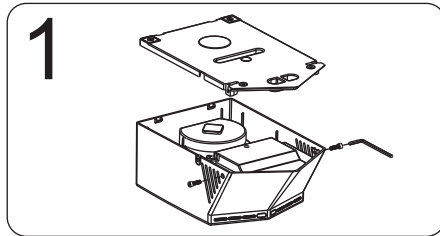


Hard-wired installation

1. Use allen wrench from accessories bag to remove 2 countersunk screws from body shell. Pull the shell upward by hands to remove.
2. Determine wall mounting location and use the hand dryer base as a template to mark 4 hole locations. Drill 4 holes and Insert plastic anchors. The machine has been equipped with a power cord, the cord can be removed on the inside by unscrewing it from the terminal. Feed power supply wires through power supply hole as shown in figure 2. Connect Live wire to terminal block "L". Connect Neutral wire to the terminal block "N" as show in figure 3.

Note: The machine has been equipped with a power cord, you can also use a wire stripper to cut the plug off and feed it through power supply hole to hard wire into your electrical box.

3. Mount the unit to wall with screws as shown in figure 2.
4. Tighten the 2 countersunk screws on the shell.



7. Test Run

	Steps	Confirm information	Check & Notice
1	Shake the machine gently	The machine is installed firmly without shaking	If not installed correctly, the unit will shake and make noise during operation
2	Confirm the power and voltage	Please use the rated Voltage	Incorrect voltage may burn out machines or cause accidents if the power use is incorrect
3	Switch on the power	Make sure power cord is correctly wired	Please check power flow when the indicator light is not bright
4	Slide hands under hand dryer at correct distance to dry optimally	Hand dryer should turn on with hands placed underneath	Confirm whether your hands are at the correct distance from the dryer if it does not turn on

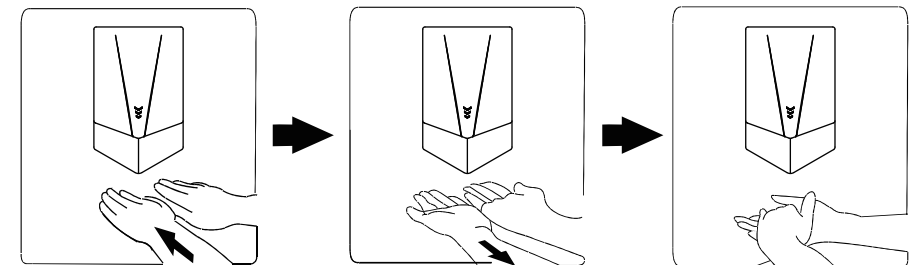
8. Daily use and maintenance

External maintenance

Best cleaned with a soft dry cloth and neutral detergent. Do not use organic solvents, acid or alkaline toilet cleaner, cleaning brush, etc. Otherwise, it will destroy the machines surface finish and/or produce discoloration.

9. Operation

1. No touch operation.
2. Shake excess water from hands.
3. Place hands under outlet to start operation.
4. Rub hands lightly and rapidly.
5. Stops automatically after hands are removed.



Slowly moving up the back of the hand before and after

Palm of the hand before and after slowly moving upwards

Rub hands